

Important Template Disclosure:

File may NOT print at 100% accuracy. Please refer to measurements when drilling final holes.

Please email info@lockeyusa.com for a faxed or mailed template due to .pdf file printing with possible inaccuracies.

PLEASE CHECK MEASUREMENTS BEFORE DRILLING!

Please scroll down to view templates.

INSTALLATION INSTRUCTIONS OF DIGITAL DOOR LOCK

Lockey M-220 Surface Mount Long & Short Bar Deadbolt

I. THE NAME AND DETAILS OF THE ENCLOSED PARTS

| NO. | Name of Parts | NO. 2000 |
|-----|---|----------|
| 1. | Outside Body | 1 piece |
| 2. | Inside Body | 1 piece |
| 3. | Rubber Escutcheon | 2 pieces |
| 4. | Mortised Strike | 1 piece |
| 5. | Spindle for 40-55mm (1.37/64" - 2.11/64") | 1 piece |
| 6. | Spindle for 30-45mm (1.3/16" - 1.49/64") | 1 piece |
| 7. | Machine Screw M4 x 1.31/32" for above 5 | 2 pieces |
| 8. | Machine Screw M4 x 1.3/8" for above 6 | 2 pieces |
| 9. | Wood Screw M4 x 5/8" | 4 pieces |
| 10. | Key Tumbler (red) | 1 piece |
| 11. | Keyless Tumbler (blue) | 1 piece |
| 12. | Tweezers | 1 piece |
| 13. | Hexagonal Bolts | 2 pieces |

II. CONFIRM THE POSITION OF HINGE BEFORE INSTALLATION

DIGITAL DOOR LOCK is equipped with "FOR RIGHT HAND DOOR" which the hinge is installed on the right of the door on the sight from the out-door regardless of the opening direction of the door, as shown in Fig.1.

••• In case of "FOR LEFT HAND DOOR", change the PIN as the following explanation. •••

- Remove 2 blue colored screws by the driver and take off the rectangular lid.
- After pulling up the PIN by the supplied tweezers, insert it into the right hole sufficiently. (as Fig. 2.)
- Reset the lid with 2 blue colored screws.

III. HOW TO INSTALL THE DIGITAL DOOR LOCK

- Use a template at first and decide the position where DIGITAL DOOR LOCK is to be installed.
- Drill holes as per template. (See Fig.3.)

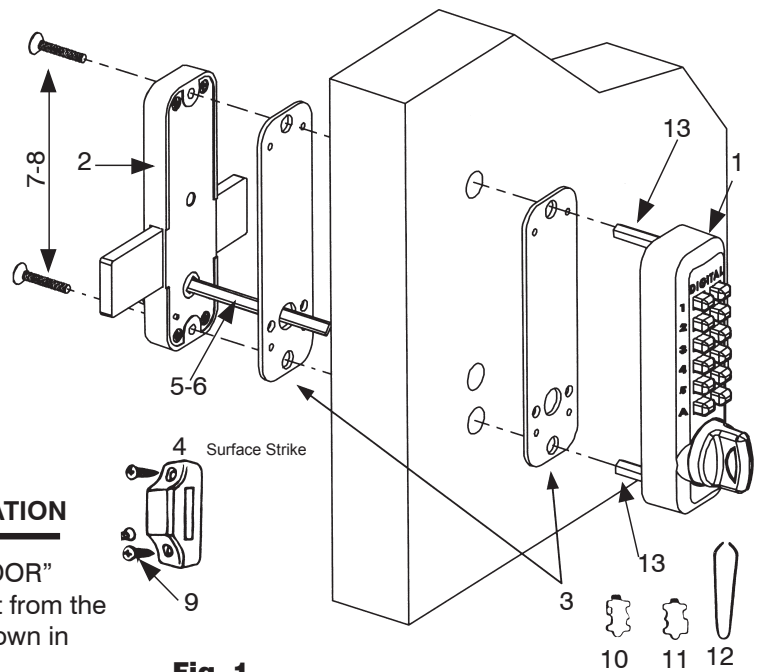


Fig. 1

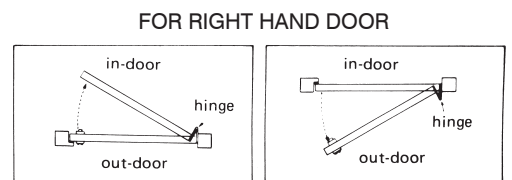


Fig. 2

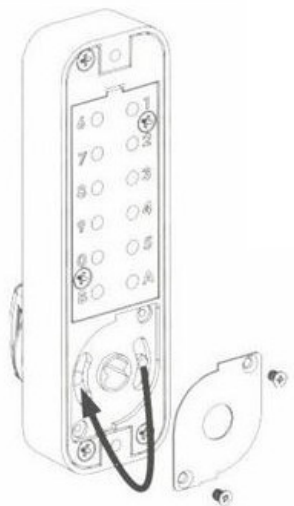


Fig. 3

