



Lockey Digital Systems Inc.
www.lockeyusa.com

Pass Code & Function Set up

1. It should be remained unlock while programming.
2. Please run the door -handing identifying process (Refer to programming table) before function set up when first time installation or default setting restore.
3. Please change default Programming Code (0000) and User Code (1234) before function set up when first time operation.
4. LED flashes orange slowly while programming. LED flashes green twice with 2 long beeps when correct input. LED flashes red 3 times with 3 beeps when incorrect input. (You need to wait for 6 seconds or press programming button when incorrect input, then re-program the system again.)
5. Every programming step should be done in 6 seconds.
6. You can lock/unlock this product by either key or pass code. Please refer to the following programming table for function set up.

Remark

1. We recommend to use alkaline battery in order to stabilize the power supply.
2. Do not mix alkaline battery with regular zinc-carbon ones or mixed brands.
3. Do not use any chemical liquid or lubricating oil with additives to clean the lock body, it will damage the surface or even mainboard.
4. If there is any problem of the product, please contact your local retailer and send back the product to us for repair or replacement.

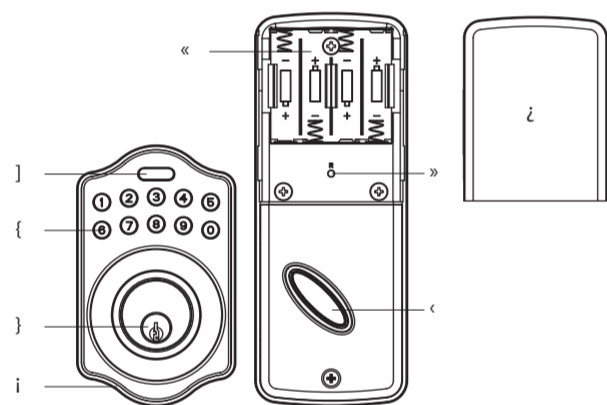
Function Programming

Function	Steps	Remark
Detect Left / Right Hand Door Installation	Enter PC Press 0	Please run the door-handing identifying process before function set up when first time installation or default setting restore. It should be remained unlock while programming.
Add New UC	Enter PC Press 1 Enter new UC	Up to 6 sets of User Code can be saved. User Code should be 4-10 digits in length.
Delete An Existing UC	Enter PC Press 2 Enter the UC you want to delete	
Delete All UC At once	Enter PC Press 3	Auto-locking and Keypad locking function will be invalid when User Codes are deleted. The lock can only be operated by key during the time.
Change PC	Enter PC Press 4 Enter New PC	
Toggle Autolock On/Off	Enter PC Press 5	The preset delay-time is 30 seconds, you can change the time by following instruction. Repeat the steps to cancel the Auto-locking function.
Set Autolock Time Delay	Enter PC Press 6 Enter Seconds (10~99)	10-99 seconds delay -time available.
Toggle Mute On/Off	Enter PC Press 7	Repeat same steps to turn beeper On/Off. LED illumination is still functioning when it's in mute. But there will be no any warning alarm.
Enable/Disable All UC	Enter PC Press 8	Auto-locking and Keypad locking function will be invalid when User Codes are disabled. The lock can only be operated by key during the time. Repeat the steps to enable the User Codes again.
Create a disposable UC	Enter PC Press 9 Enter new disposable UC	Disposable code will be no longer valid once being used.
Restore all preset lock settings	Press "R"	Press "R" button for over 5 seconds, the programming will complete after you hear 3 long beeps. After restore, you need to run the door handing identifying process before other function setting.

Programming Code (PC)
User Code (UC)



USER MANUAL



- 1. Programming Button
Programming Button is for entering codes, clearing errors and setting function. It's also lock button.
- 2. Number Buttons
Input the pass codes, each pass code is 4-10 digits in length.
- 3. Cylinder
Retract / Extend the latch bolt by key from exterior.
- 4. Washer
Prevent water permeating into lockset.
- 5. Battery Lid
Slide the lid to change the batteries or restore default setting.
- 6. Battery Holder
Four AA (1.5V) Alkaline batteries.
- 7. Turn-Piece
Retract/Extend the latch bolt from interior.

Specification/Function

- 1. Battery**
Four AA (1.5V) Alkaline batteries.
- 2. Low Battery**
2-1 The batteries should be changed immediately once you see the LED flashes in red and hear constant beep sounds for about 10 seconds when press programming button.
2-2 All settings are retained in the memory and will not be affected even if the battery is completely dead.
2-3 The lock still can be operated by key even there is a power outage.
- 3. LED Indicator**
3-1 LED flashes green once when successful operation.
3-2 LED flashes green twice when successful programming.
3-3 LED flashes red 3 times when there is an operation error.
3-4 LED flashes red 5 times when codes input error, the operation will stop for system protection (Refer to 17).
3-5 LED flashes orange 3 times when system has been restored to default setting.
3-6 LED flashes orange slowly while in programming mode.
- 4. Audio Indicator**
4-1 1 beep sound indicates a successful operation.
4-2 2 long beeps indicate a successful programming
4-3 3 beeps indicate an operation error.

- 4-4 3 long beeps indicate that system has been restored to default setting.
- 4-5 5 beeps when codes input error, the operation will stop for system protection. (Refer to 17)
- 4-6 10 rapid beeps indicate the power of battery is low.
- 5. Programming Code**
5-1 The preset Programming Code is 0000. Please delete it and create your personal code when first time operation.
5-2 Only one set of Programming Code for function setting.
5-3 Programming Code is only for function setting, you can't unlock the door by pressing Programming Code.
5-4 Programming code is 4-10 digits in length.
5-5 Programming code can be changed anytime if needed.
- 6. User Code**
6-1 The preset User Code is 1234. Please delete it and create your personal code when first time operation.
6-2 Up to 6 sets of User codes can be saved.
6-3 User Code is only for activating the lock, without programming function.
6-4 User Code is 4-10 digits in length.
6-5 User Code can be deleted or changed anytime if needed.
- 7. Delete Individual User Code**
7-1 User Codes can be deleted individually. You can reset the same number as code even it's deleted before.
7-2 You should enter Programming code to delete individual User code.

- 8. Delete All User Codes At Once**
8-1 All the User Codes can be deleted at once. You can still reset the same numbers as codes even they're deleted before.
8-2 Auto-locking and Keypad locking function will be invalid after deleting all User Codes and the lock can only be operated by key. All the electrical functions will be restored when recreate new User Codes.
8-3 You need to enter Programming Code to delete all User Codes.
- 9. Temporarily Disable All User Codes**
9-1 Auto-locking and Keypad locking function will be invalid when User Codes are temporarily disabled. The lock can only be operated by key during the time.
9-2 Repeat the programming steps again to restore the User Codes.
- 10. Create a Disposable User Code**
10-1 Disposable User Code will be no longer valid once being used.
10-2 You can reset same number as Disposal User Code.
10-3 You need to enter Programming Code to create a Disposable User Code.
- 11. Restore Preset Factory Code**
11-1 You can restore Preset Factory Code by pressing "R" button on the interior receiver module when you forget Programming Code or you want to cancel all previous setting.
11-2 After restore, the Programming Code would be 0000; the User Code would be 1234 again.

- 12. Unlock the door**
The door will be unlocked by key or pressing User Code on keypad from outside or by interior turn-piece.
- 13. Lock the door**
The door will be locked by key or pressing Programming Button on keypad from outside or by interior turn-piece.
- 14. Incomplete Door Closing / Opening**
14-1 Once the latch bolt is not extended/retracted completely and causing a not functional motor operation when it's locked by keypad, you'll see LED flash red 3 times (for twice) and hear 3 beeps (No alarm when it's in mute). You need to enter User Code to unlock the door for remaining the bolt retracted, and press Programming Button to lock the door again.
14-2 If the latch bolt gets stuck or can't extend/retract completely all the time, please check if the strike aligns with the latch bolt perfectly and adjust the strike to proper position. After long use of the door hinge, the latch bolt might get stuck easily because the door is deformed or lopsided.
- 15. To Activate / Deactivate Auto-Locking Function**
15-1 The door will automatically lock itself within 10~99 seconds when this function is programmed.
15-2 This function is not preset at the beginning; it can be set if needed.

- 15-3 The preset delay-time is 30 seconds; you can adjust the period you want.
- 15-4 Please repeat the same programming steps to cancel Auto-Locking function when needed.
- 15-5 The system will alarm twice if the latch bolt gets stuck or not extended/retracted completely. You need to enter User Code to unlock the door for remaining the bolt retracted. The auto-locking function will be restored then.
- 16. Toggle Mute On/Off**
16-1 You will hear beep sounds when pressing keypad, programming or operating errors. It can be turned off if needed.
16-2 LED illumination is still functioning when it's in mute. For there will be no any warning alarm, we suggest not to mute the beeper if it's not necessary.
16-3 Motor operating sound cannot be muted.
- 17. Code Protection Function**
The operation will stop if entering unauthorized codes over 5 times. The System will re-operate again after 45 sec.
- 18. Illumination**
The LED Keypad will light up when pressing any button for ease of operating in the dark.