



Installation Instructions

Lockey®TB-950 Magnum Concealed, high use, pedestrian gate closer (with individual hydraulic controls for closing & latching speeds)

The Lockey TB-950 Magnum pedestrian gate closer is an all-in-one closer and hinge system which is designed for installation on high use gates.

With the closer unit concealed inside a strong steel housing, the Lockey TB-950 Magnum is tamper and vandal resistant.

Installation of the Lockey TB-950 Magnum is normally done when the gate is being fabricated, but can be done afterwards, if required. The closer housing and bottom support are welded to the bottom of the gate and post, and the closer top pivot is welded to the top of the post. When the closer housing, bottom support and top pivot are welded to the gate and post, they can be galvanized/painted along with the gate and posts.

Whether the closer is for use with a lock, latch or electromagnet, the two hydraulically controlled speed adjustments will give the correct closing speed. There is one control to adjust the closing speed, the other regulates the latching speed. Both controls are hidden underneath the gate closer housing and can be easily adjusted with an Allen key.

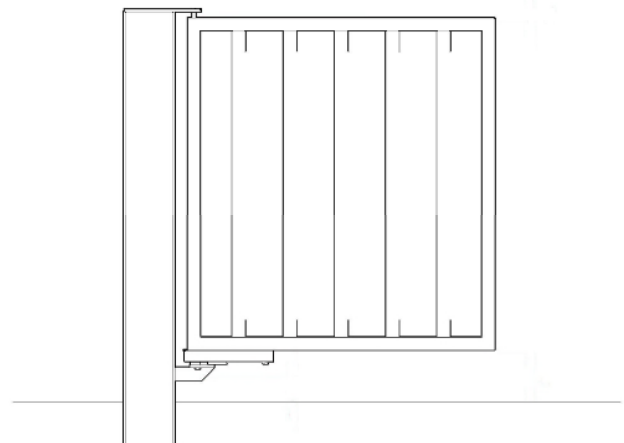
The gate closer housing includes a mechanical stop which restricts the opening of the gate to avoid damaging the closer. The closer can be set for right or left hand without any additional parts or fabrication work.

Limited maintenance is required, only regular gate inspection and periodic lubrication.



Features

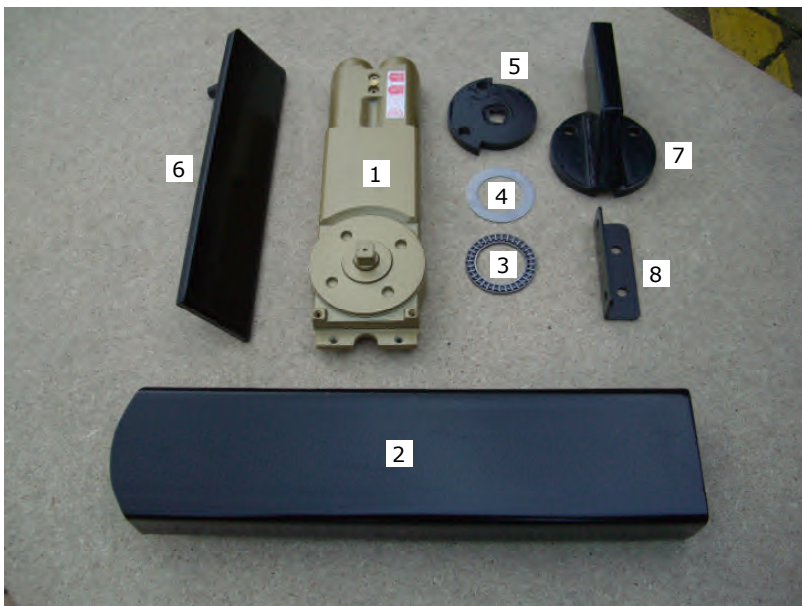
- Fits gates 40 - 48" wide & up to 72" high
- Suitable for gate weight up to 240lb
- No hold open (suitable for security gates)
- Hydraulically adjustable closing speed
- Hydraulically adjustable latching speed
- Restrictor to avoid over opening
- Speed adjustments hidden from view
- For all temperatures down to -40°F



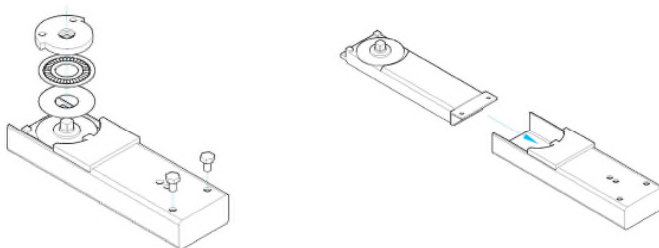


Installation Instructions

Lockey®TB-950 Magnum Concealed, high use, pedestrian gate closer (with individual hydraulic controls for closing & latching speeds)



- #1 Closer unit
- #2 Closer housing
- #3 Bearing
- #4 Washer
- #5 Drive plate
- #6 Top pivot
- #7 Bottom support
- #8 Internal bracket



Step 1

Remove all parts from housing #2

Step 2

Weld housing #2 to underside of gate allowing correct gap between gate frame and gate post (measurement between centre pivot of closer and gate post is 4 3/8")



Installation Instructions

Lockey® TB-950 Magnum Concealed, high use, pedestrian gate closer (with hydraulic controls for closing & latching speed)

Step 3

Weld the closer housing #2 to the underside of the gate in the correct position giving the desired clearance between the gate and post. The distance from the face of the post to the centre of the closer pivot is $4 \frac{5}{16}''$ (110mm) when gate is in closed position.

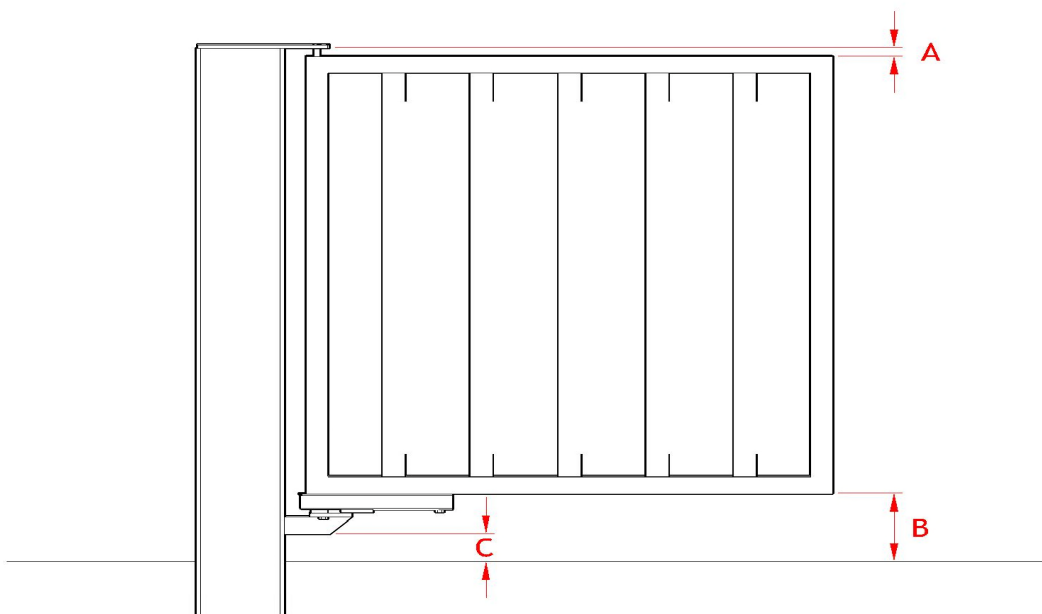
Step 4

Weld bottom support #7 to the gate post

Step 5

Weld top pivot #6 to top of gate post

A	B	C
$\frac{3}{8}''$	$4 \frac{3}{4}''$	$\frac{1}{4}''$





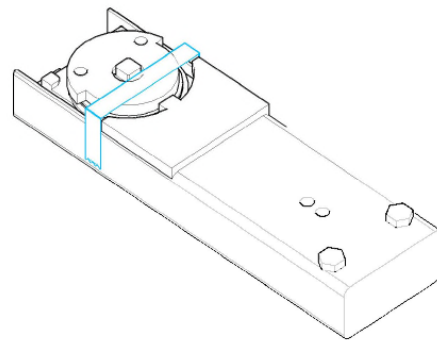
Installation Instructions

Lockey® TB-950 Magnum

Concealed, high use, pedestrian gate closer
(with hydraulic controls for closing & latching speed)

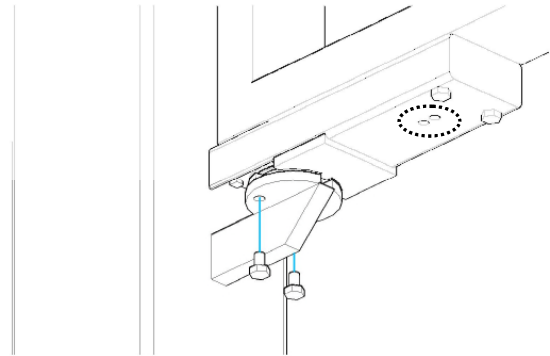
Step 6

After galvanizing/painting, grease roller bearing, and replace parts into closer housing #2 placing the drive plate #5 to the correct handing and then place a small piece of adhesive tape across drive plate #5 and closer housing #2 to secure while mounting gate



Step 7

Mount gate to post



Step 8

Adjust closing speed (hole nearest post) and latching speed (hole farthest from post) using 3mm Allen key

Maintenance

The regularity of maintenance should reflect the frequency of use, environment and the likelihood of vandalism or misuse. Should you require more information about gate closer maintenance, please contact us using the contact information at the bottom of this page.

The following checks and lubrication should be regularly completed:

- 1) Check to ensure all fastenings are secure
- 2) Check function of closer
- 3) Lubricate roller bearing

Disclaimer

LockeyUSA will not accept any responsibility whatsoever for damage caused by incorrect fitting, misuse, or incorrect assessment of the application. In purchasing this product, the purchaser accepts all responsibility for the installation, operation and maintenance of the product.

For more information, please review LockeyUSA's full warranty at www.lockeyUSA.com