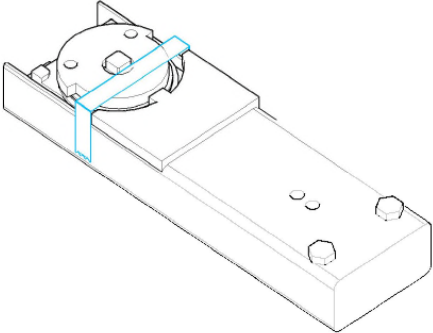


Installation Instructions

Lockey® TB-950 Magnum
Concealed, high use, pedestrian gate closer
(with hydraulic controls for closing & latching speed)

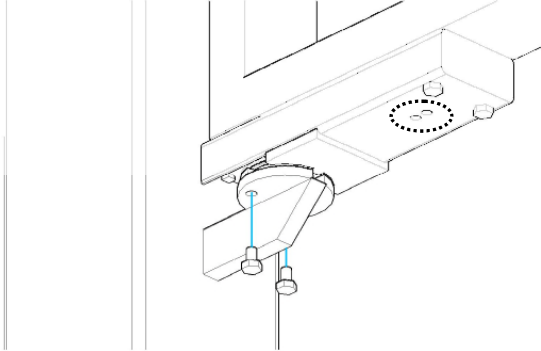
Step 6

After galvanizing/painting, grease roller bearing, and replace parts into closer housing #2 placing the drive plate #5 to the correct handing and then place a small piece of adhesive tape across drive plate #5 and closer housing #2 to secure while mounting gate



Step 7

Mount gate to post



Step 8

Adjust closing speed (hole nearest post) and latching speed (hole farthest from post) using 3mm Allen key

Maintenance

The regularity of maintenance should reflect the frequency of use, environment and the likelihood of vandalism or misuse. Should you require more information about gate closer maintenance, please contact us using the contact information at the bottom of this page.

The following checks and lubrication should be regularly completed:

- 1) Check to ensure all fastenings are secure
- 2) Check function of closer
- 3) Lubricate roller bearing

Disclaimer

LockeyUSA will not accept any responsibility whatsoever for damage caused by incorrect fitting, misuse, or incorrect assessment of the application. In purchasing this product, the purchaser accepts all responsibility for the installation, operation and maintenance of the product.

For more information, please review LockeyUSA’s full warranty at www.lockeyUSA.com